



# NOXX™ LFP ANTI FOULING LADDER SYSTEM



MARELCO™

NOXX

SIDNEY, BC | [EMCSINDUSTRIES.COM](http://EMCSINDUSTRIES.COM) | 250.656.5366

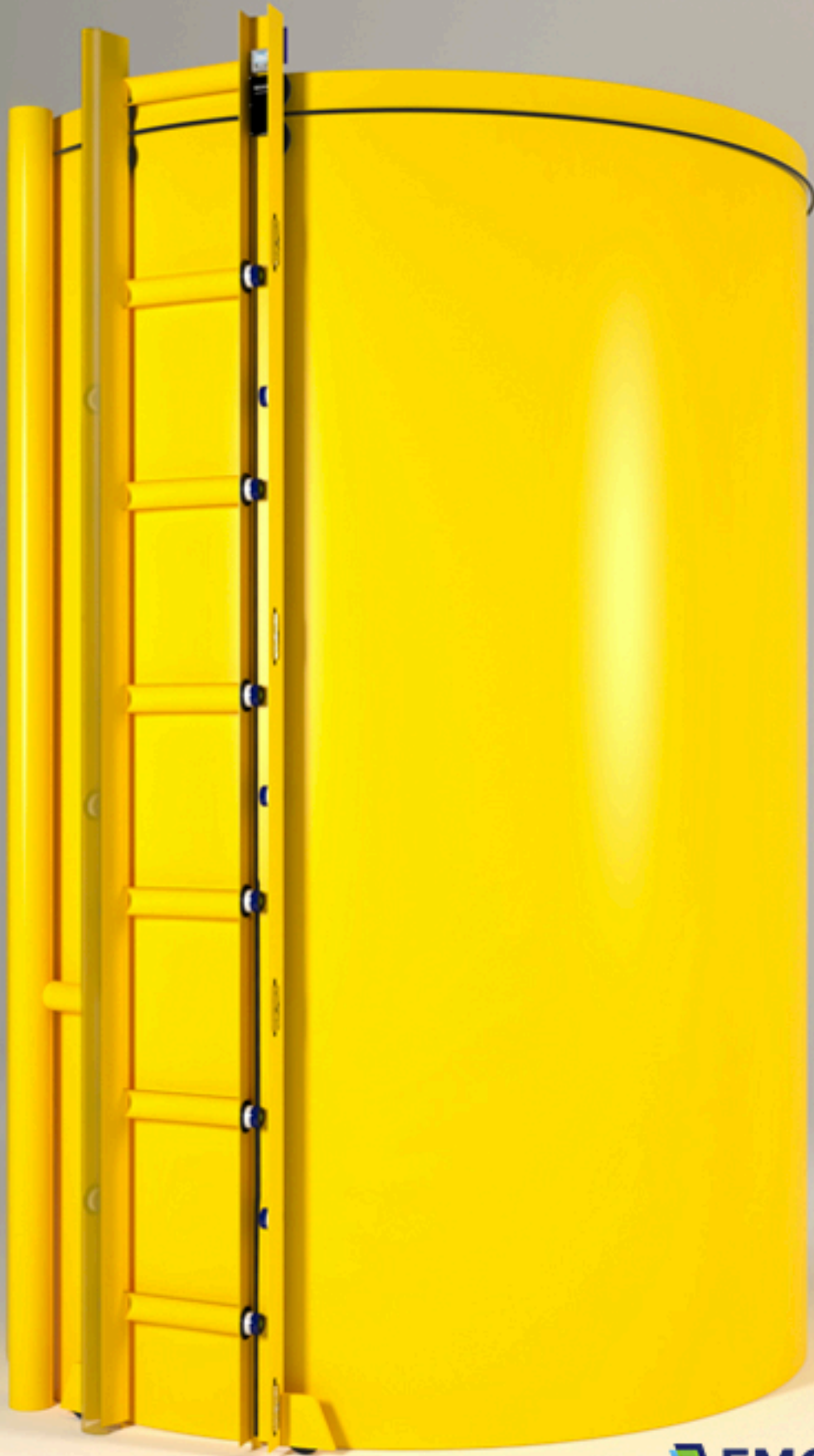




**THE PROBLEM.**

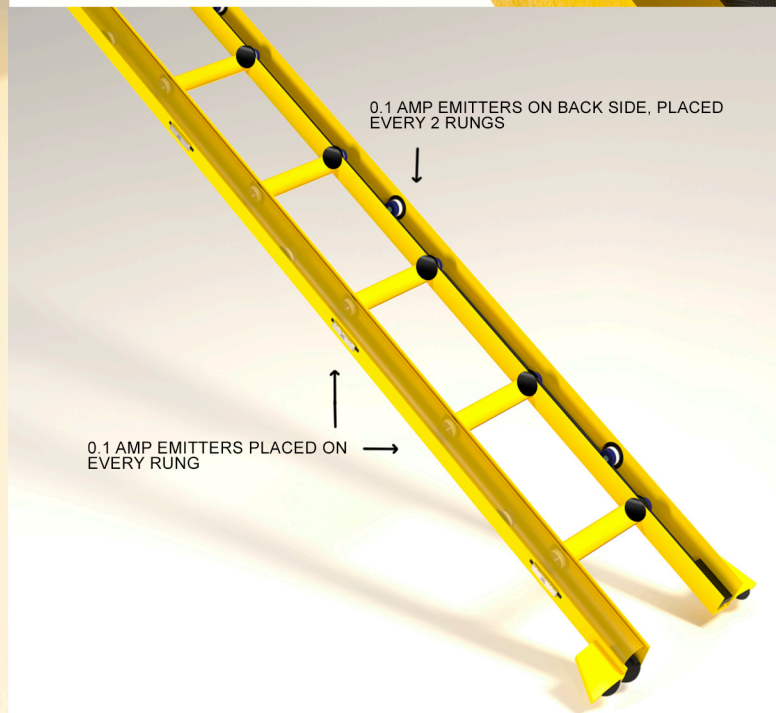
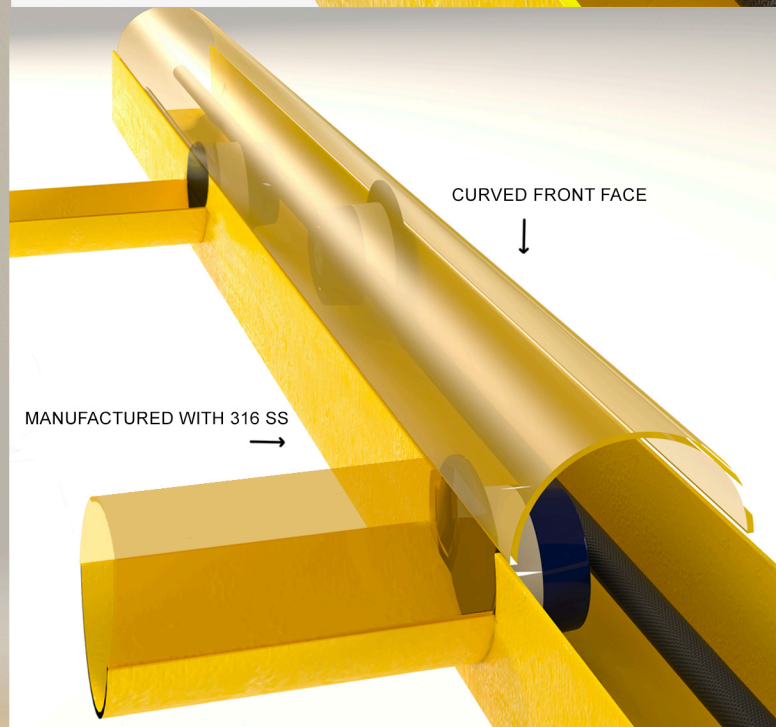


# THE SOLUTION.



 **EMCS**  
INDUSTRIES LTD. **MARELCO™** NOXX

SIDNEY, BC | [EMCSINDUSTRIES.COM](http://EMCSINDUSTRIES.COM) | 250.656.5366



MARELCO™

NOXX

SIDNEY, BC | EMCSINDUSTRIES.COM | 250.656.5366





MARELCO™

NOXX

SIDNEY, BC | [EMCSINDUSTRIES.COM](http://EMCSINDUSTRIES.COM) | 250.656.5366

CURVED FRONT FACE



MANUFACTURED WITH 316 SS →

← CONTROL PANEL

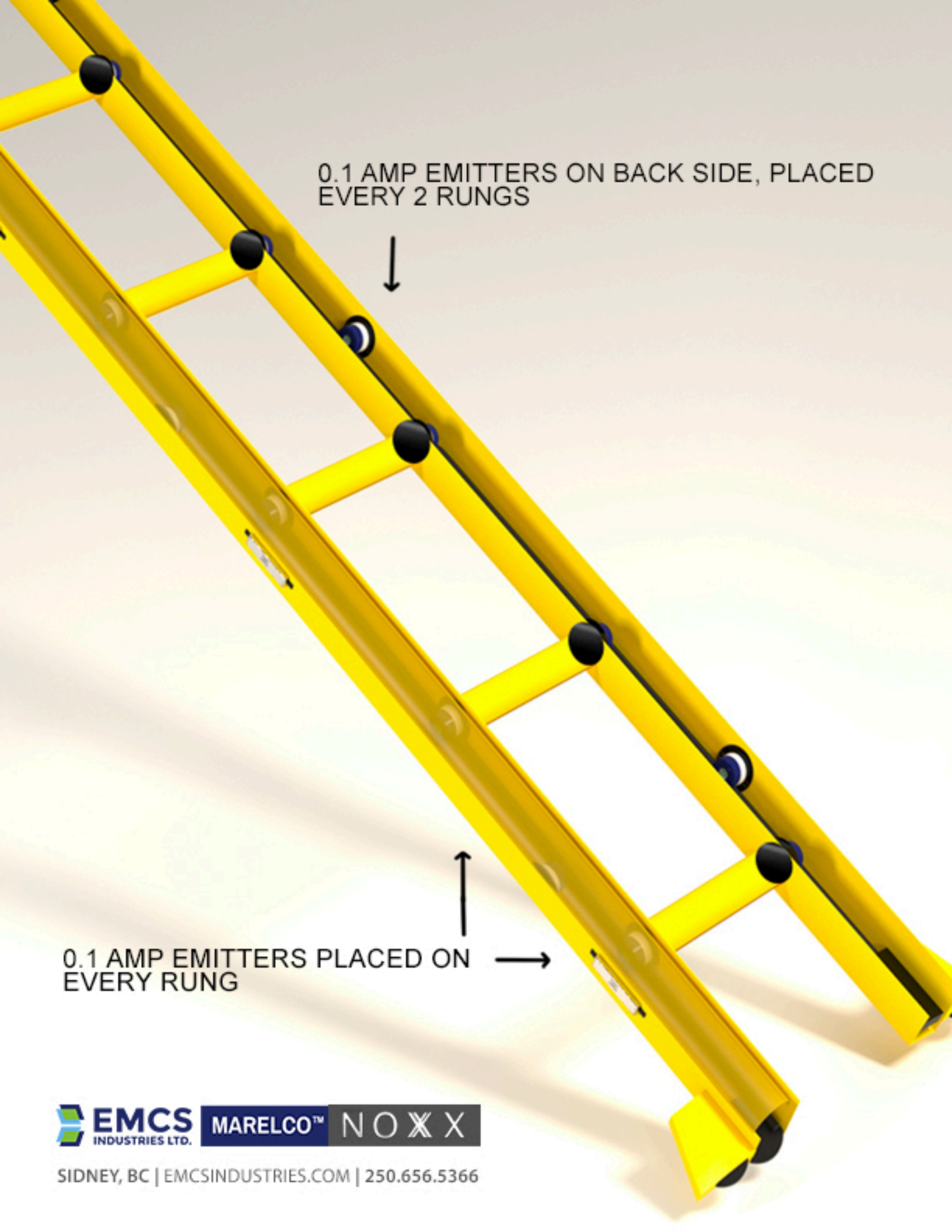
JUNCTION BOX  
↓

TREATED WITH ANTI-CORROSIVE COATING →

 **EMCS**  
INDUSTRIES LTD. **MARELCO™ NOXX**

SIDNEY, BC | [EMCSINDUSTRIES.COM](http://EMCSINDUSTRIES.COM) | 250.656.5366





0.1 AMP EMITTERS ON BACK SIDE, PLACED EVERY 2 RUNGS

0.1 AMP EMITTERS PLACED ON EVERY RUNG